

PowerView® Charger M25T-IRB motor



This charger is designed to charge the PowerView® M25T-IRB roller blind motor with integrated lithium Ion Battery Pack.

Features & benefits

- 100V / 240V AC input Voltage for worldwide use

- interchangeable AC plugs

EU / UK /

- 5m charging cable for in place charging

- Rapid charging 0-100% charging time 4-5hr

- Safety protection:

- Over Current/Voltage protection

DATASHEET

- Short circuit protection

- auto-recovery function

- Appearance

Black with USB type A connector; 5m charging cable
USB Type A to C

Technical data

Input

Voltage (AC)	100-240V
Frequency	50-60Hz
Current	240Vac in / @ 2.4A load - 0.35A Max
Inrush current (cold start @ 230Vac)	80A(max.)
No Load Power Consumption	≤0.3W
Leakage Current	≤250μA

output

Nominal voltage (DC)	5V
<i>Regulation</i>	±10%
Max Load	2.4A
<i>Regulation</i>	±10%
Max. Output Power	12W

Ambient conditions

Operation temperature	0°C to +40°C
Operation relative humidity	8% to 95%
Storage temperature	-20°C to +60°C

DATASHEET

Storage relative humidity 5% to 95%

Certification

EMC EN55032:2015, EN55035:2017, EN 61000-3-2:2014

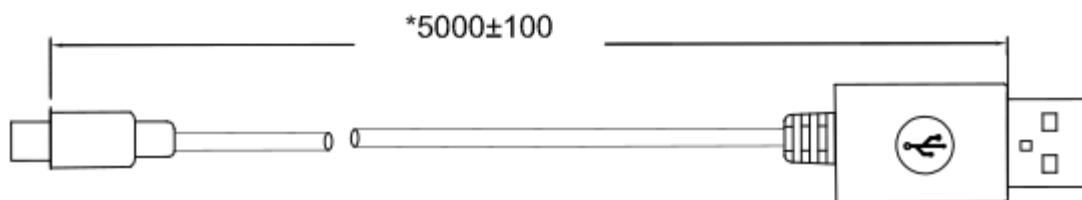
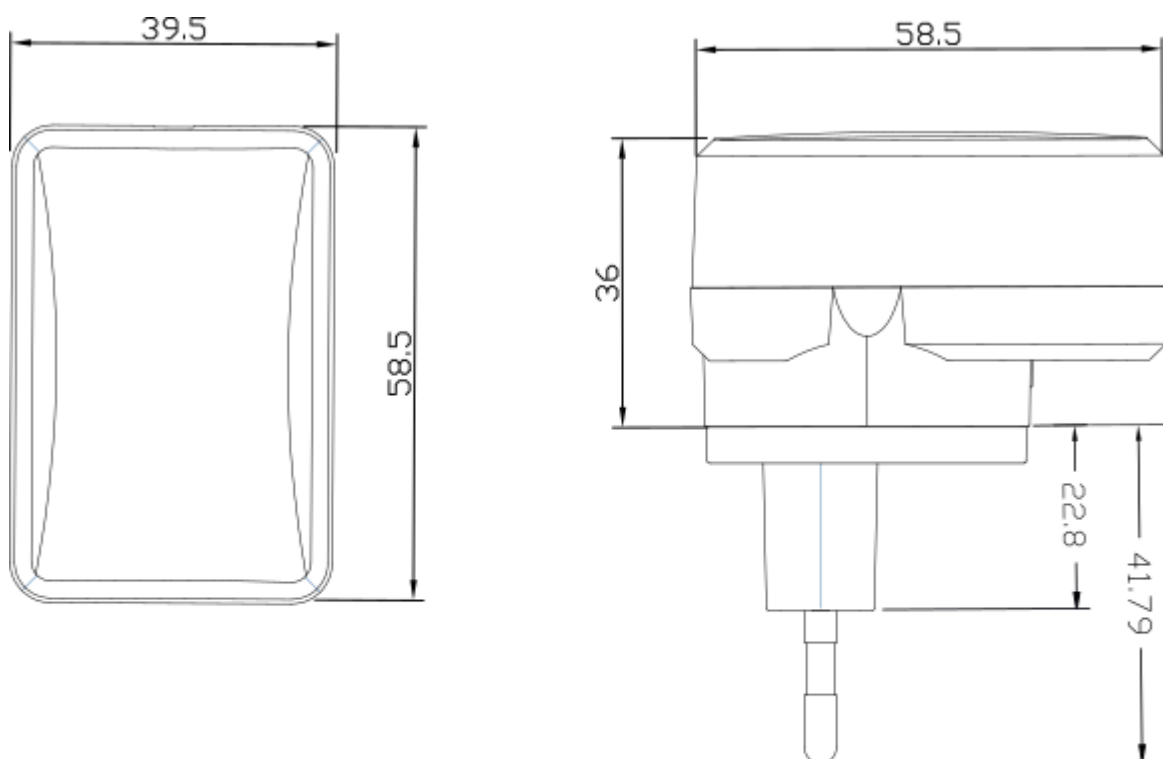
EN 61000-3-3:2013

EMI CISPR-22 CLASS B, Fcc class B

EMS EN 61000-4-2, EN55024:1998

CE LVD - CB IEC 62368-1:2014

Dimensions



Logistics / Applications

Article number	17.0391.0000
Min. order qty	72 pcs
Application	Charger for PowerView® M25T-IRB roller blind motor

Warning and user notes

Important notice

Hunter Douglas Europe B.V. and its affiliates (Hunter Douglas) reserve the right to make corrections, enhancements, improvements and other changes to its products and services, and to discontinue any product or service. Buyers should obtain the latest relevant information before placing orders and should verify that such information is current and complete. All products (also referred to herein as "components") are sold subject to Hunter Douglas' terms and conditions of sale supplied at the time of order acknowledgment. Hunter Douglas warrants performance of its components to the specifications applicable at the time of sale, in accordance with its standard warranty terms. Testing and other quality control techniques are used to the extent Hunter Douglas deems necessary to support this warranty. Except where mandated by applicable law, testing of all parameters of each component is not necessarily performed. Hunter Douglas assumes no liability for applications assistance or the design of Buyers' products. Buyers are responsible for their products, applications and interfaces using Hunter Douglas components. To minimize the risks associated with Buyers' products and applications, Buyers should provide adequate design and operating safeguards. Hunter Douglas does not warrant or represent that any license, either express or implied, is granted under any patent right, copyright, mask work right, or other intellectual property right relating to any combination, machine, or process in which Hunter Douglas components or services are used. Information published by Hunter Douglas regarding third-party products or services does not constitute a license to use such products or services or a warranty or endorsement thereof. Use of such information may require a license from a third party under the patents or other intellectual property of the third party, or a license from Hunter Douglas under the patents or other intellectual property of Hunter Douglas. Reproduction of Hunter Douglas information in Hunter Douglas data sheets is permissible only if reproduction is without alteration and is accompanied by all associated warranties, conditions, limitations, and notices. Hunter Douglas is not responsible or liable for any altered documentation. Information of third parties may be subject to additional restrictions. Resale of Hunter Douglas components or services with statements different from or beyond the parameters stated by Hunter Douglas for that component or service voids all express and any implied warranties for the associated Hunter Douglas component or service and is an unfair and deceptive business practice. Hunter Douglas is not responsible or liable for any such statements. Buyers acknowledge and agree that they are solely responsible for compliance with all legal, regulatory and safety-related requirements concerning its products, and any use of Hunter Douglas components in its applications, notwithstanding any applications-related information or support that may be provided by Hunter Douglas. Buyers represent and agree that they have all the necessary expertise to create and implement safeguards which anticipate dangerous consequences of failures, monitor failures and their consequences, lessen the likelihood of failures that might cause harm and take appropriate remedial actions. Buyers fully indemnify Hunter Douglas and its representatives against any damages arising out of the use of any Hunter Douglas components in safety-critical applications. Manufacturer/Supplier address: Hunter Douglas Europe B.V, P.O. Box 5072 Piekstraat 2 3008 AB Rotterdam The Netherlands